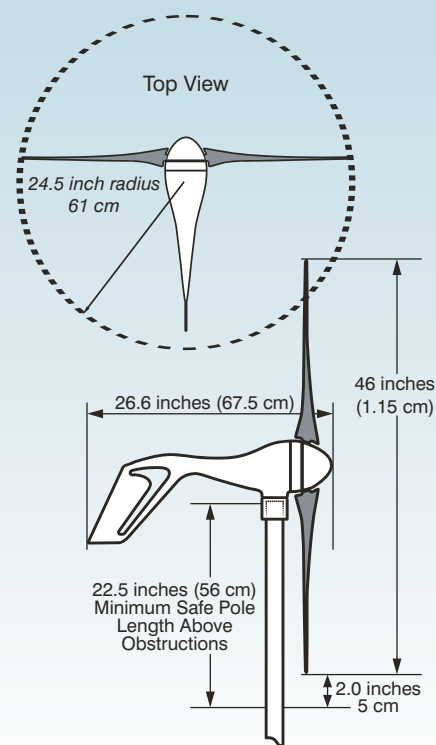


# Technical Specifications

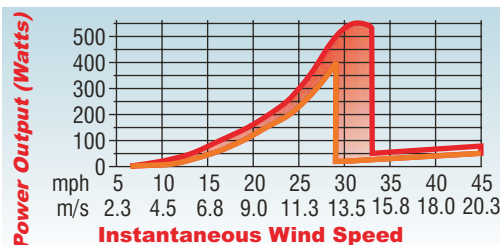


|                           |  |
|---------------------------|--|
| Rotor Diameter:           | 46 inches (1.15m)  |
| Weight:                   | 13 lbs (5.85kg)  |
| Shipping Dimensions:      | Shipping: 27"x15"x9" (686x38x228mm) / 17 lbs (7.7kg))                  |
| Mount:                    | 1.5" schedule 40 pipe (1.9" OD, 48 mm)                                 |
| Start-up wind speed:      | 8 mph (3.58 m/s)   |
| Voltage:                  | 12, 24, 34 and 48 VDC  |
| Rated Power:              | 400 watts at 28mph (12.5m/s)   |
| Turbine Controller:       | Microprocessor-based smart internal regulator with Peak Power Tracking |
| Body:                     | Cast aluminum (Air-X Marine is powder coated for corrosion protection) |
| Blades (three):           | Carbon Fiber Composite   |
| Over-speed Protection:    | Electronic torque control  |
| Kilowatt hours per month: | 38 kWh/mo @12mph (5.4m/s)  |
| Warranty:                 | 3 Year Limited Warranty  |
| Survival Wind speed:      | 110 mph (49.2 m/s)   |

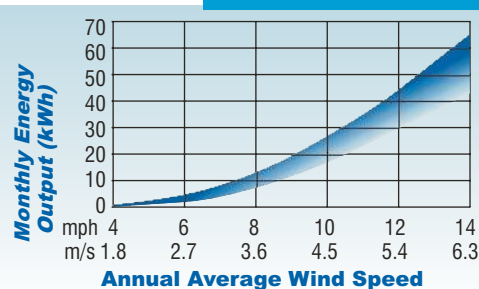
## Sphere of Operation



Patented



## Performance Curves



Rayleigh Distribution Curve k=2

Top Line - Non-Turbulent Site  
Bottom Line - Turbulent Site

## Southwest Windpower

Renewable Energy Made Simple

1801 W. Route 66 • Flagstaff, AZ 86001 USA  
Tel 928-779-9463 • Fax 928-779-1485  
www.windenergy.com • E-mail info@windenergy.com

## REPS

Renewable Energy Production Solutions

Bockholm, 21760 Houtskär  
www.reps.fi, +358-40-5883344